

Make the ERC happy

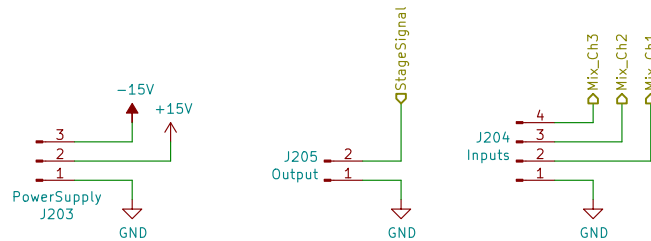
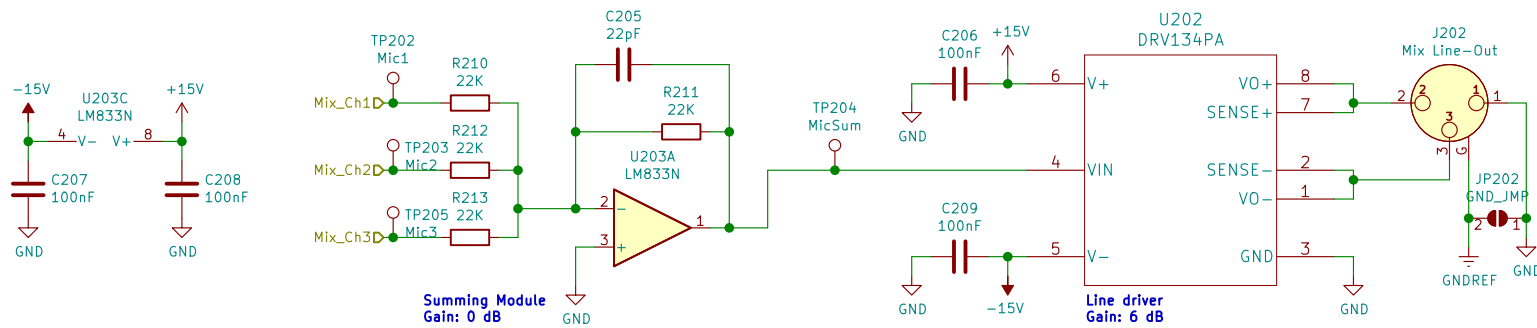
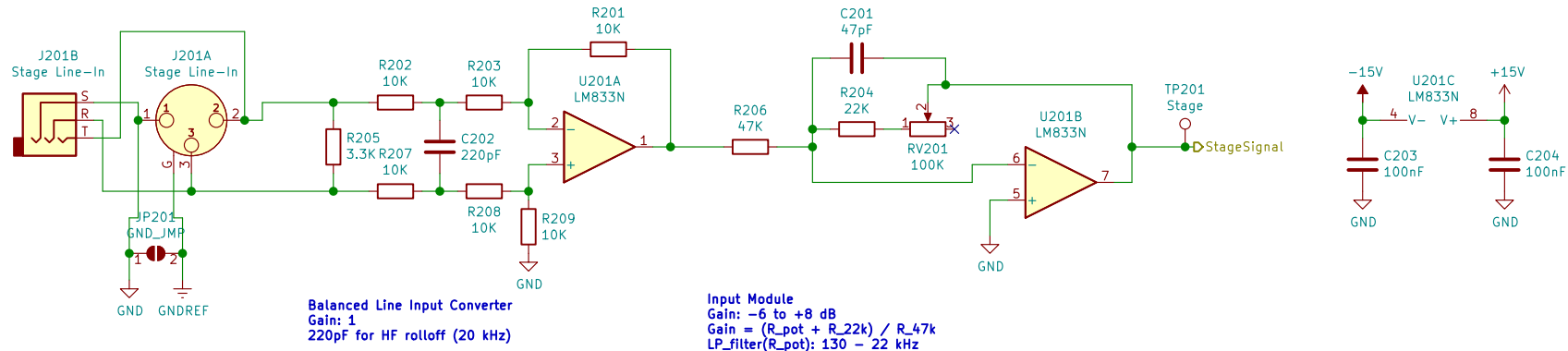
Prototype 1 (with errata)
Jannik Beyerstedt (jtbx)

Sheet: /
 File: c3lingo_unit-assembly.sch

Title: c3lingo interpreter unit

Size: A4 Date: 2021-09-02
 KiCad E.D.A. kicad (5.1.10-1-10_14)

Rev: v0.2.1
 Id: 1/5



Prototype 1 (with errata)
Jannik Beyerstedt (jtbx)
 Sheet: /Stage Line In + Microphone Mix and Line Out/
 File: c3lingo_unit-mix_io.sch
Title: c3lingo interpreter unit -- mix and line I/O

Size: A4	Date: 2021-09-02	Rev: v0.2.1
KiCad E.D.A. kicad (5.1.10-1-10_14)		Id: 2/5

