

Sheet: Mic1\_Channel Strip and IO

- ▶ Monitor\_Stage
- ▶ Monitor\_Own            PreampOutD
- ▶ Monitor\_OthersA
- ▶ Monitor\_OthersB

File: c3lingo\_unit-channel/c3lingo\_unit-channel.sch

Sheet: Mic2\_Channel Strip and IO

- ▶ Monitor\_Stage
- ▶ Monitor\_Own            PreampOutD
- ▶ Monitor\_OthersA
- ▶ Monitor\_OthersB

File: c3lingo\_unit-channel/c3lingo\_unit-channel.sch

Sheet: Mic3\_Channel Strip and IO

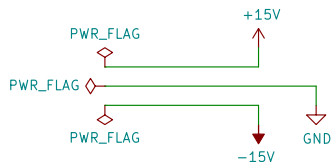
- ▶ Monitor\_Stage
- ▶ Monitor\_Own            PreampOutD
- ▶ Monitor\_OthersA
- ▶ Monitor\_OthersB

File: c3lingo\_unit-channel/c3lingo\_unit-channel.sch

Sheet: Stage\_Line\_In + Microphone Mix and Line Out



File: c3lingo\_unit-mix\_io/c3lingo\_unit-mix\_io.sch



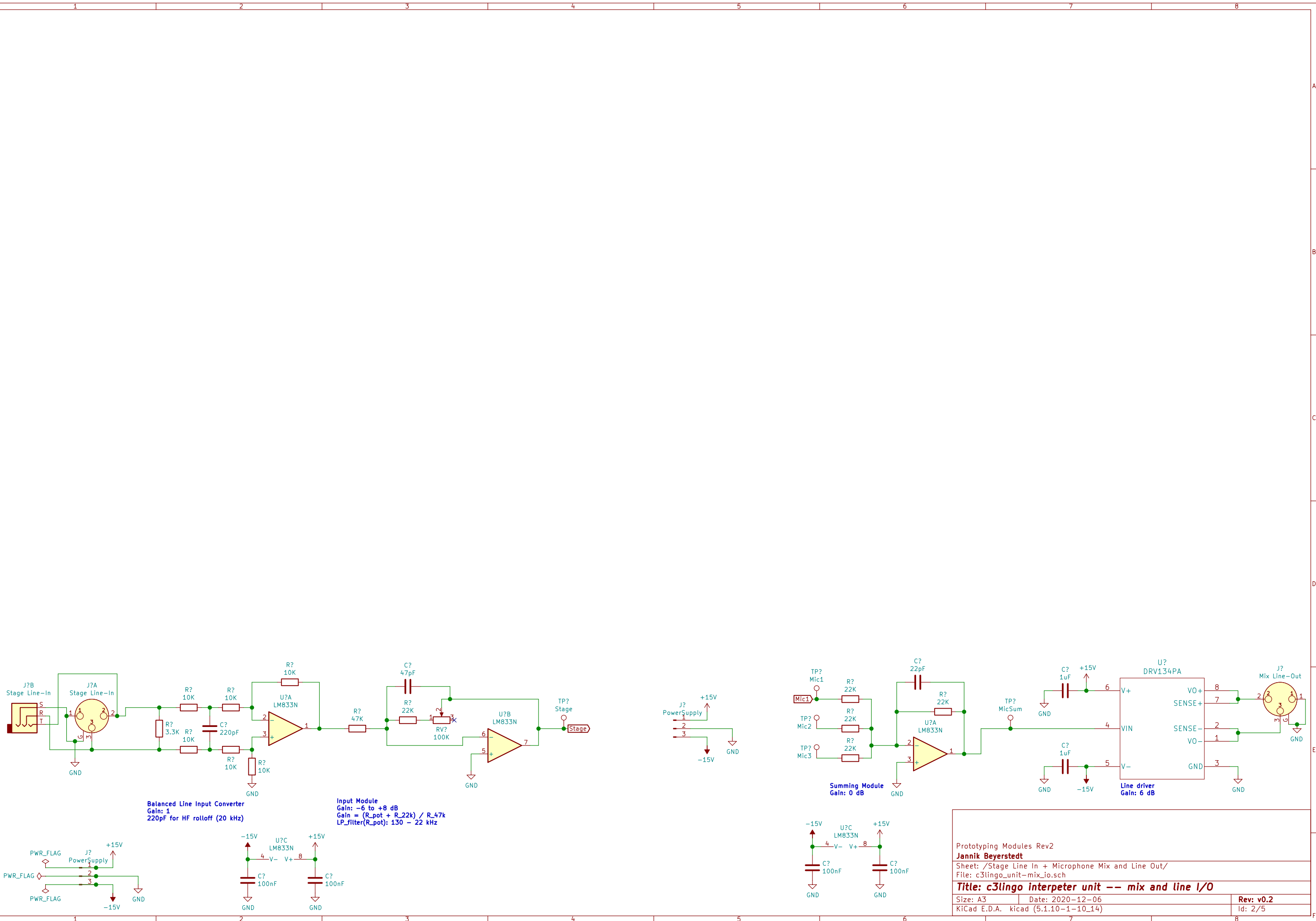
Prototyping Modules Rev2  
**Jannik Beyerstedt**

Sheet: /  
File: c3lingo\_unit-assembly.sch

**Title: c3lingo interpreter unit**

Size: A4      Date: 2021-05-23  
KiCad E.D.A. kicad (5.1.10-1-10\_14)

**Rev: v0.2**  
Id: 1/5



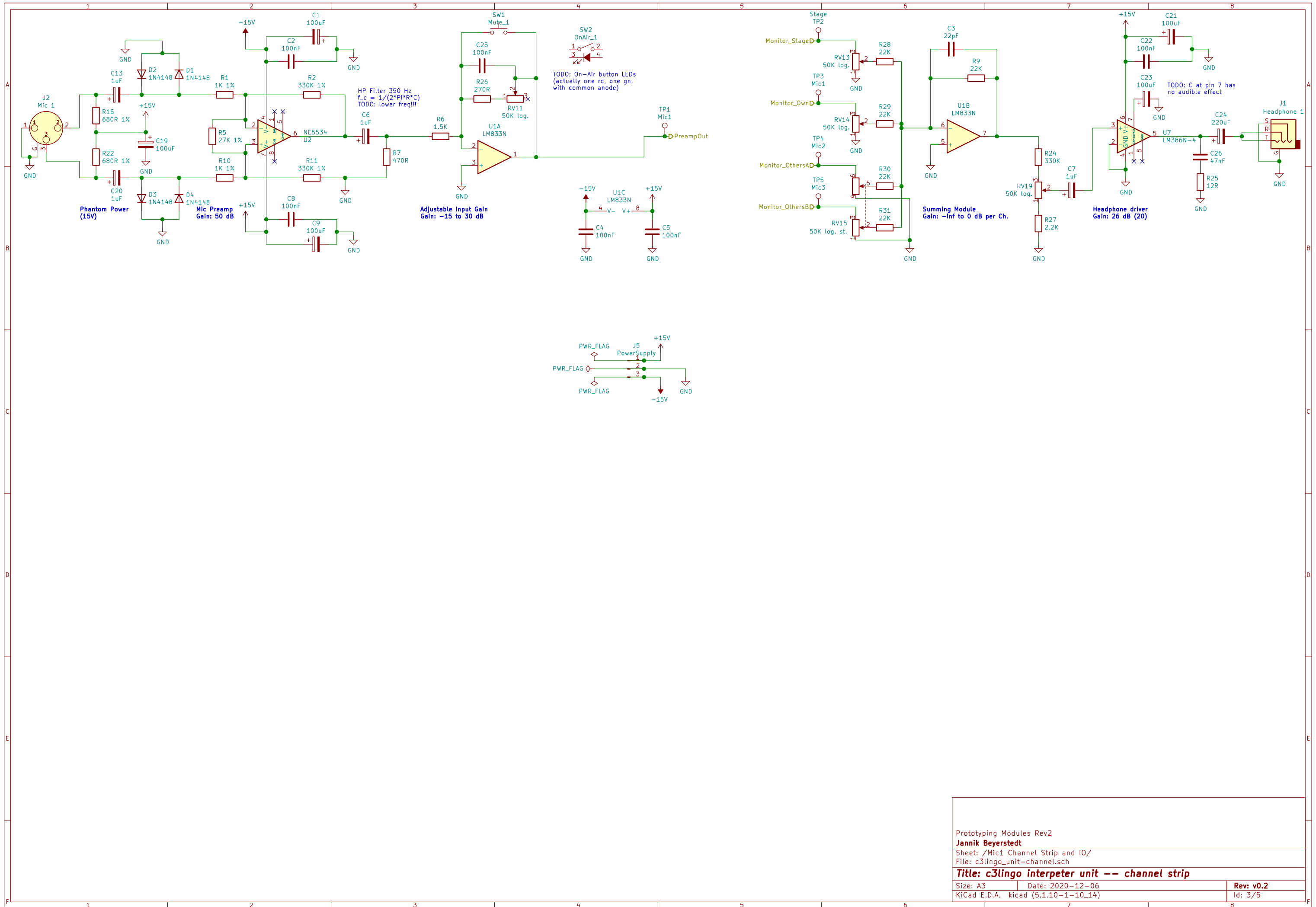
Balanced Line Input Converter  
Gain: 1  
220pF for HF rolloff (20 kHz)

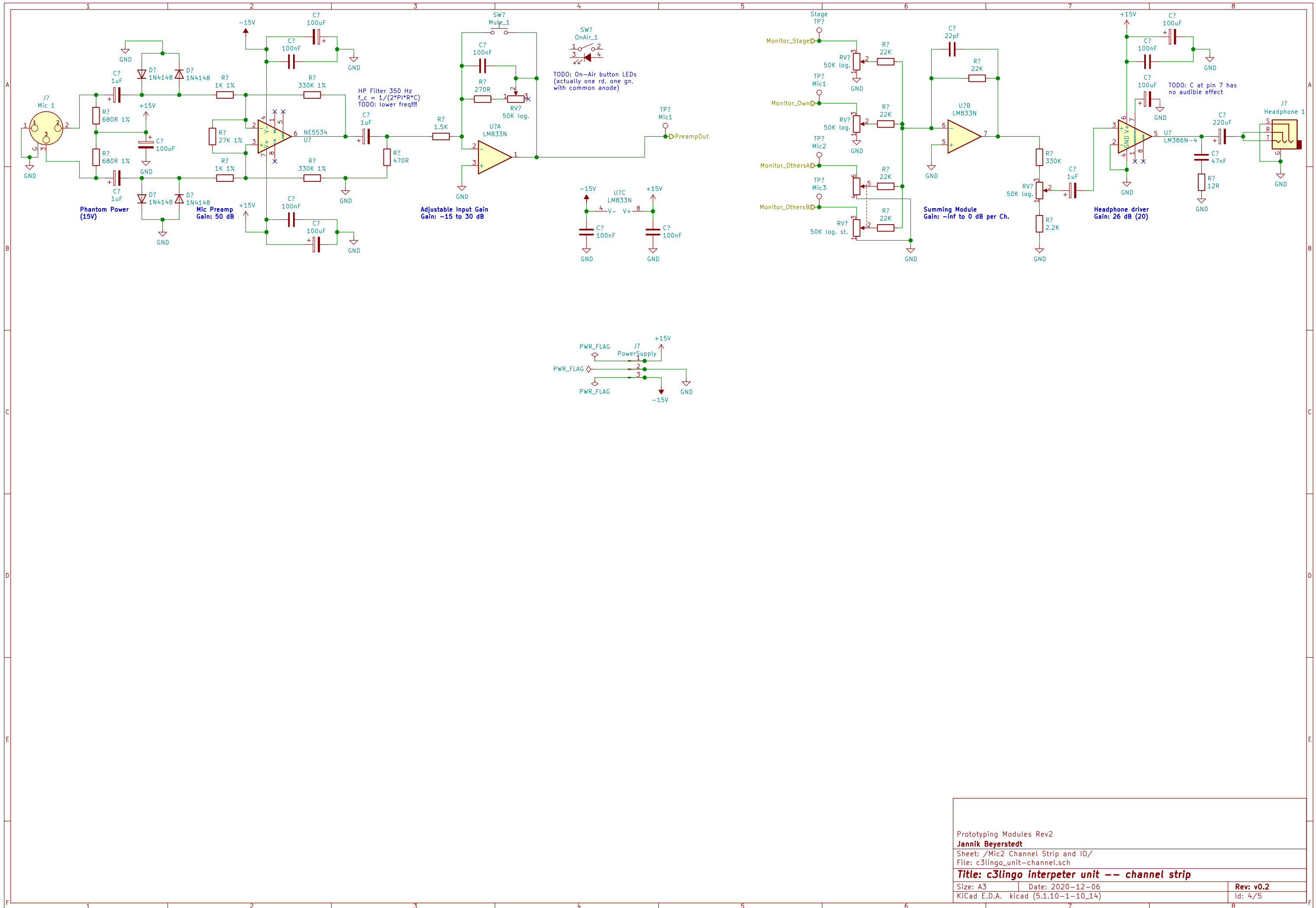
Input Module  
Gain: -6 to +8 dB  
Gain = (R\_pot + R\_22k) / R\_47k  
LP\_filter(R\_pot): 130 - 22 kHz

Summing Module  
Gain: 0 dB

Line driver  
Gain: 6 dB

Prototyping Modules Rev2		
Jannik Beyerstedt		
Sheet: /Stage Line In + Microphone Mix and Line Out/ File: c3lingo_unit-mix_io.sch		
<b>Title: c3lingo interpreter unit -- mix and line I/O</b>		
Size: A3	Date: 2020-12-06	Rev: v0.2
KiCad E.D.A. kicad (5.1.10-1-10_14)		Id: 2/5





Prototyping Modules Rev2  
**Jannik Beyerstedt**  
 Sheet: /Mic2 Channel Strip and IO/  
 File: c3lingo\_unit-channel.sch  
**Title: c3lingo interpreter unit -- channel strip**  
 Size: A3 | Date: 2020-12-06 | Rev: v0.2  
 KiCad E.D.A. kicad (5.1.10-1-10\_14) | Id: 4/5

