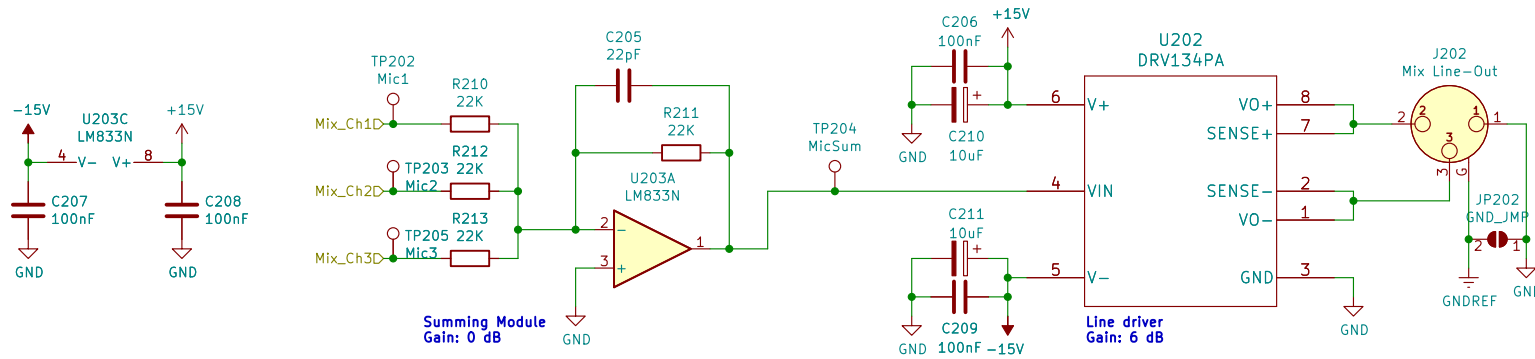
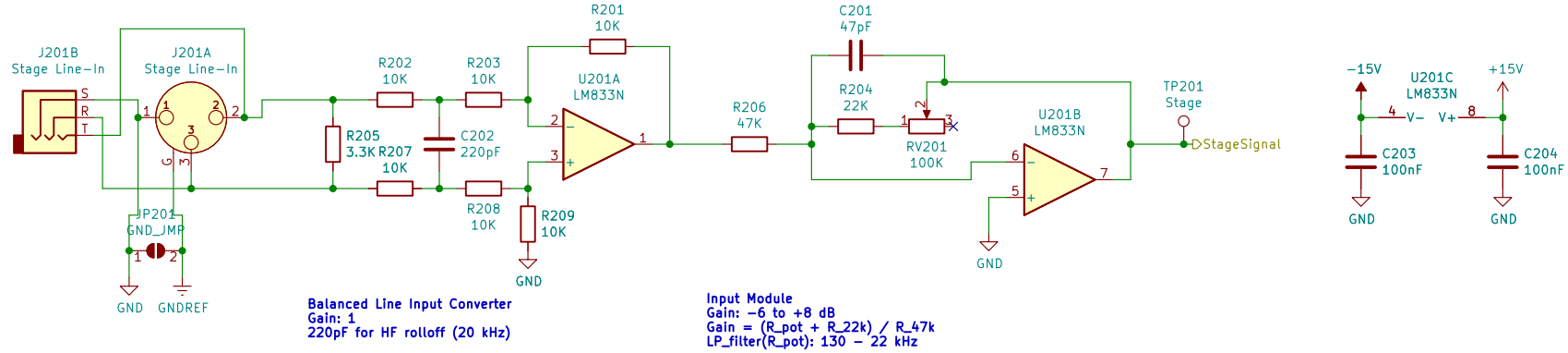


Prototype 2  
**Jannik Beyerstedt (jtbx)**  
 Sheet: /  
 File: c3lingo\_unit-assembly.kicad\_sch

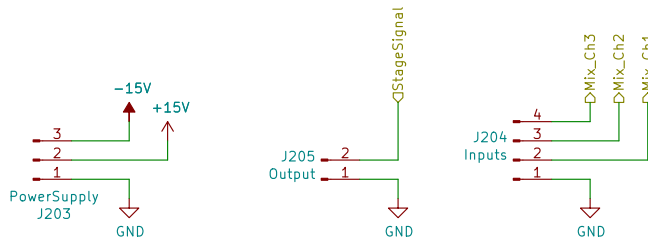
**Title: c3lingo interpreter unit**

Size: A4 Date: 2022-12-30  
 KiCad E.D.A. kicad (6.0.10-0)

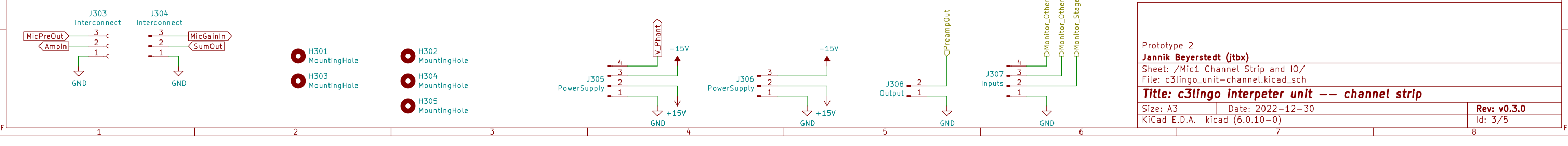
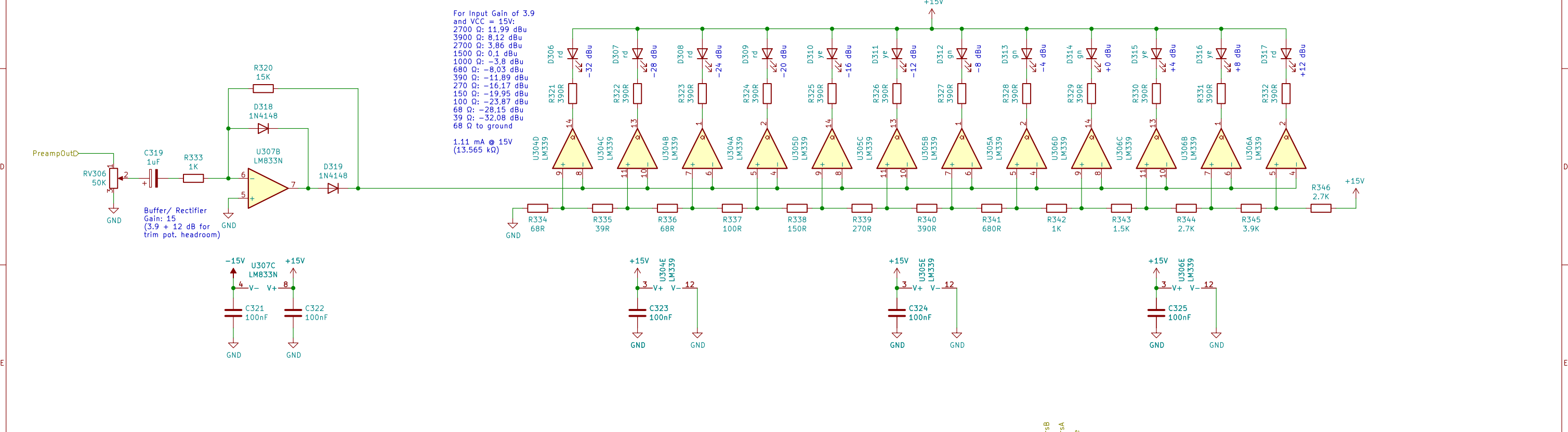
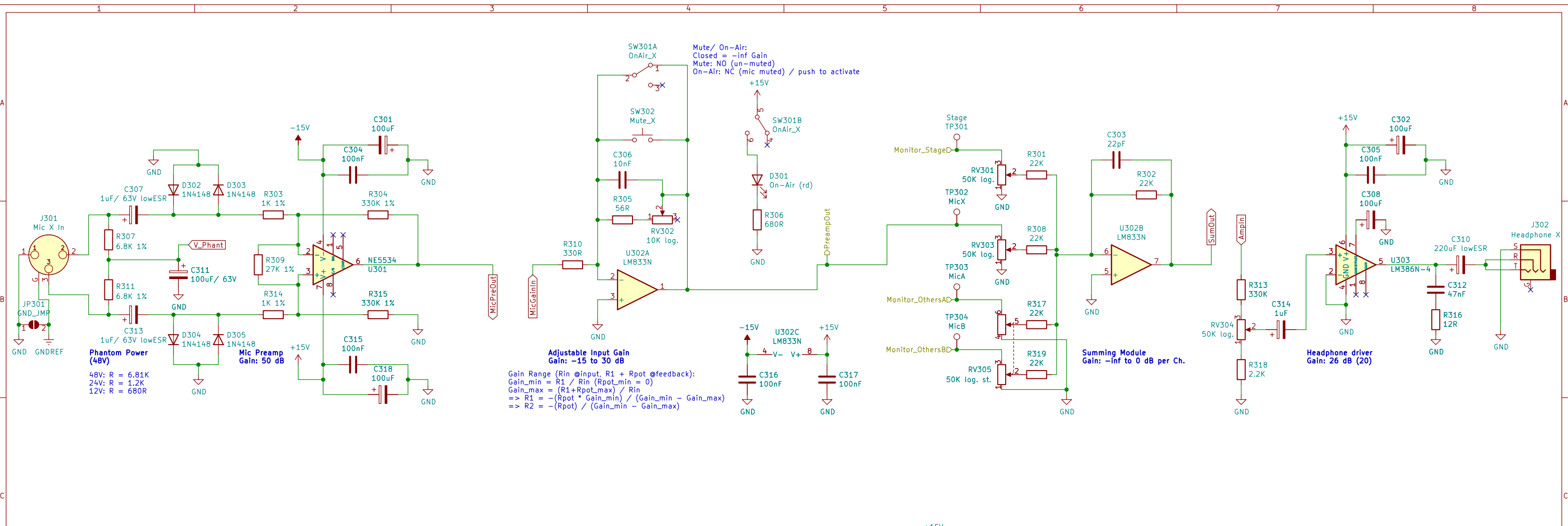
**Rev: v0.3.0**  
 Id: 1/5



- H201 MountingHole
- H202 MountingHole



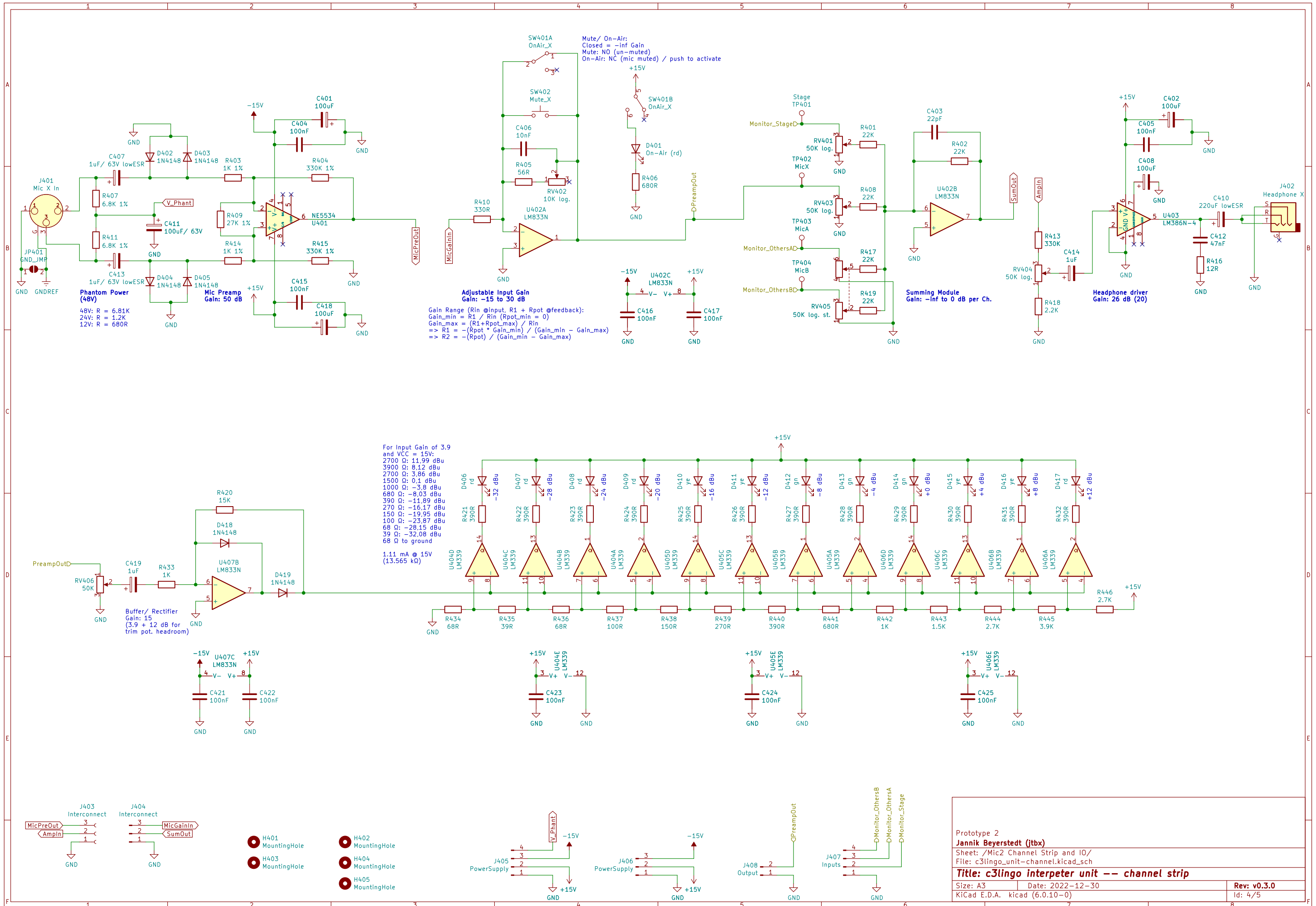
Prototype 2	
Jannik Beyerstedt (jtbx)	
Sheet: /Stage Line In + Microphone Mix and Line Out/	
File: c3lingo_unit-mix_io.kicad_sch	
<b>Title: c3lingo interpreter unit -- mix and line I/O</b>	
Size: A4	Date: 2022-12-30
KiCad E.D.A. kicad (6.0.10-0)	Rev: v0.3.0
	Id: 2/5



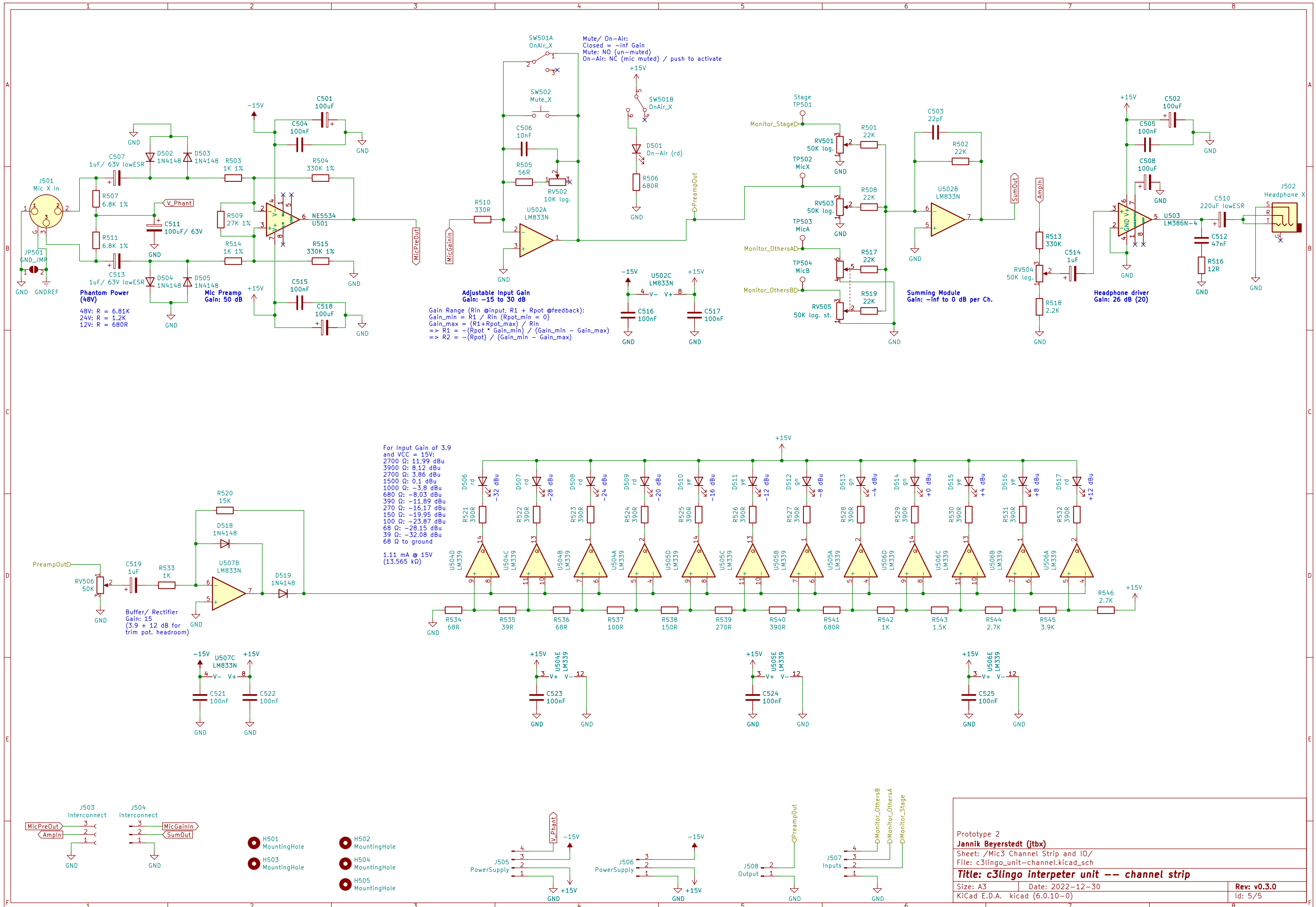
Prototype 2  
 Jannik Beyerstedt (jtbx)  
 Sheet: /Mic1 Channel Strip and IO/  
 File: c3lingo\_unit-channel.kicad\_sch

**Title: c3lingo interpreter unit -- channel strip**

Size: A3	Date: 2022-12-30	Rev: v0.3.0
KiCad E.D.A. kicad (6.0.10-0)		Id: 3/5



Prototype 2  
 Jannik Beyerstedt (jtbx)  
 Sheet: /Mic2 Channel Strip and IO/  
 File: c3lingo\_unit-channel.kicad\_sch  
**Title: c3lingo interpreter unit -- channel strip**  
 Size: A3 Date: 2022-12-30 Rev: v0.3.0  
 KiCad E.D.A. kicad (6.0.10-0) Id: 4/5



Prototype 2  
 Jannik Beyerstedt (jtbx)  
 Sheet: /Mic3 Channel Strip and IO/  
 File: c3lingo\_unit-channel.kicad\_sch  
**Title: c3lingo interpreter unit -- channel strip**  
 Size: A3 Date: 2022-12-30 Rev: v0.3.0  
 KiCad E.D.A. kicad (6.0.10-0) Id: 5/5