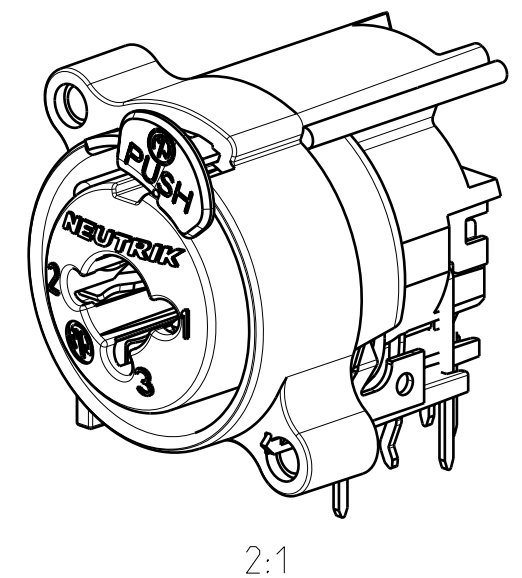
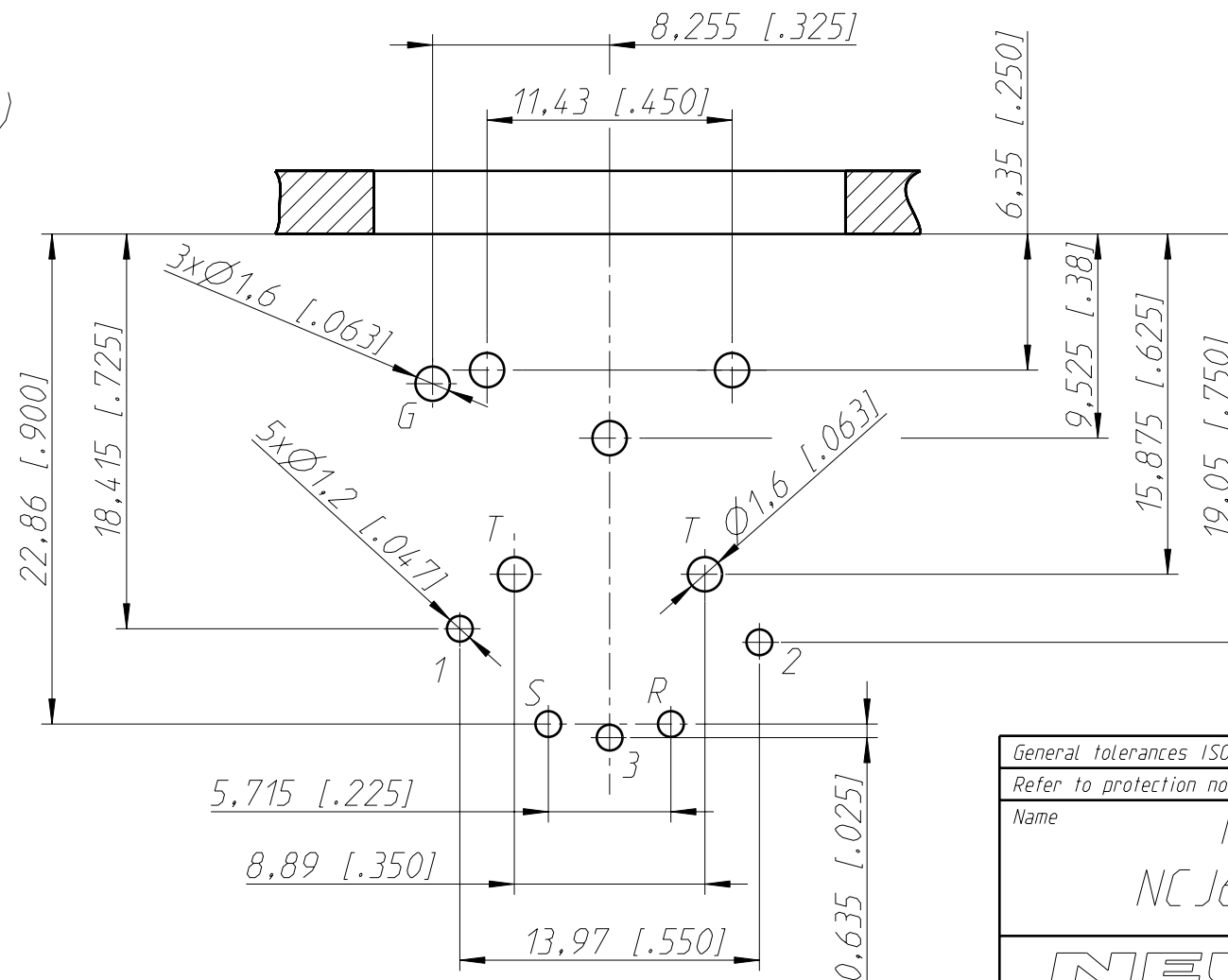
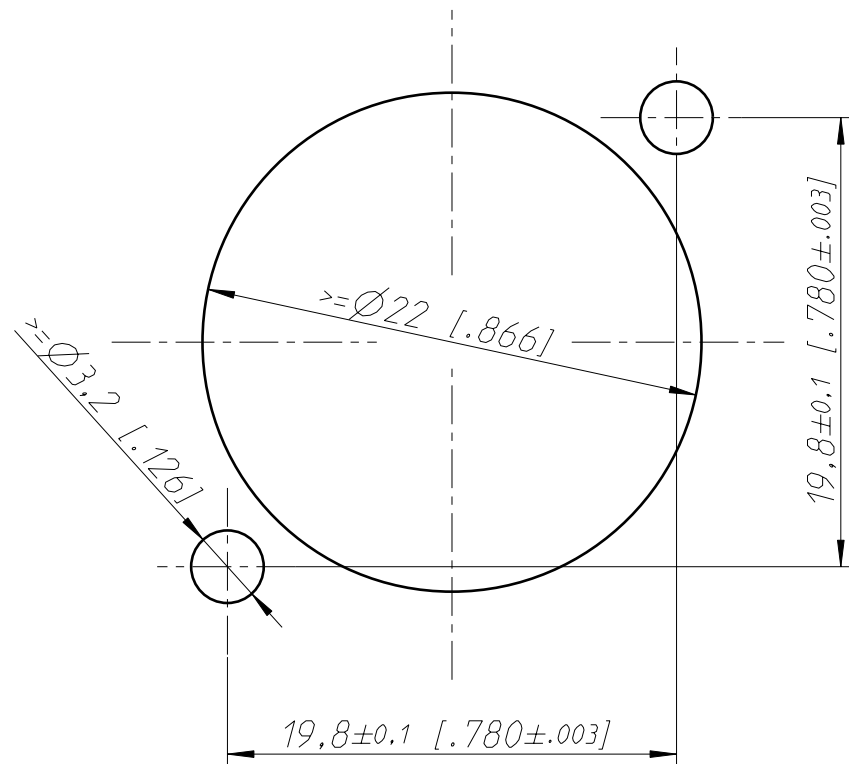


Print-Bohrplan (Bestückungsseite)  
PCB-layout (component-side)

Frontplattenausschnitt (Rückseite)  
Panel cut out (rear side)



General tolerances ISO 2768-m	Scale	Date	Name
Refer to protection notice ISO 16016.	3:1 (A3)	17.05.17	Karlinger
Name	NC J6FAH	Modified	-
	NC J6FA-H-DA	Change-No.	Sheet-No.
		-	1 / 1
		Replacement for:	
		Drawing-No.	ST-NCJ6FA-H-DA
<b>NEUTRIK</b>			